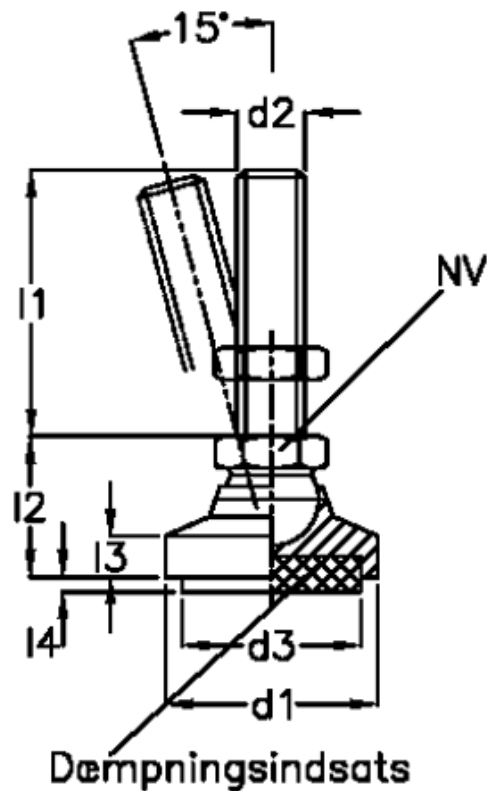


Article number: 20956521
 Description: E+GLEvelling foot
 GN 342.2-60-M16-100-SV

Measures



Area(m ²) damping insert = 2641	l ₄ compression 0.4 N/mm ²	= 5.8
d ₁ = 60	l ₄ compression 0.6 N/mm ²	= 4.9
d ₂ = M16	Load (N) by compression 0.4 N/mm ²	= 1050
d ₃ = 58	NV	= 24
l ₁ = 80	t	= 16.0
l ₂ = 38.5		
l ₃ = 11.0		
l ₄ compression 0 N/mm ² = 7.0		